

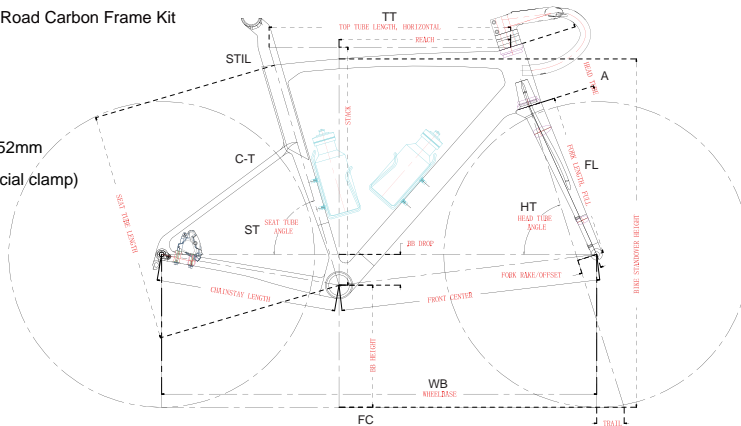
LCR017-D

Super Light



700C Super Light Disc Brake Road Carbon Frame Kit

- Finish: UD
- Size: 49/52/54/56/58cm
- Weight A: 870g/52cm
- Head tube: integrated 52mm/52mm
- Seat post: special shape (special clamp)
- Stem: 90/100/110/120mm
- Handlebar: 380/400/420mm
- BB shell: T47*P1.0(68mm)
- Dropout: TA 12*142mm
- Fork: TA 12*100mm
- Brake: Flat monut
- Max Tire: 700C*32C



LCR017-D

SIZE	STIL	REACH	TT	STACK	WB	RC	FC	BB DROP	BB HEIGHT	ST	HT	C-T	A	Standover Height (700*28C)	Offset	FL	TRAIL
490	170	390.1	530	505.4	991.6	410	591.8	70	278	74.5°	71°	480	108	753.6	45	368	68.1
520	190	390.8	540	521.2	988.7	410	588.9	70	278	74°	72°	500	121	772	45	368	63.7
540	210	390.8	550	541.9	990.8	410	590.9	70	278	73.6°	72.5°	522	141	793.1	45	368	62.6
560	230	396.4	565	562.7	998.2	410	598.9	70	278	73.3°	73°	542	161	813	45	368	59.3
580	250	402.1	580	582.9	1007	410	607	70	278	73°	73.3°	560	181	831.3	45	368	57.4

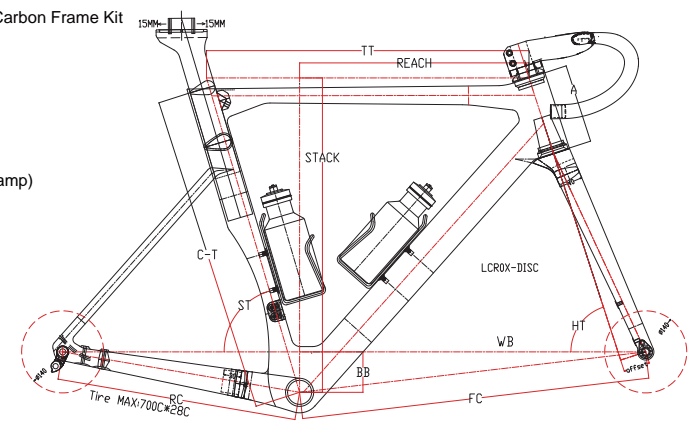
LCR0X-D

Aero Race



700C Aero Race Disc Brake Road Carbon Frame Kit

- Finish: UD
- Size: 48/51/54/56/59cm
- Weight: 1150g/54cm
- Head tube: integrated 52mm/52mm
- Seat post: special shape (special clamp)
- Stem: 90/100/110/120mm
- Handlebar: 380/400/420/440mm
- BB shell: BB86
- Dropout: TA 12*142mm
- Fork: TA 12*100mm
- Brake: Flat monut
- Max Tire: 700C*28C



LCR0X-D

SIZE	C-T	A	offset	TT	HT	ST	BB DROP	RC	WB	FC	Standover Height (700*28C)	STACK	REACH	TRAIL
480	480	115	45	520	71.5	73.5	69	410	968.3	568.4	755.6	506.1	371.1	64.5
510	510	130	45	535	71.5	73.5	69	410	983.9	583.8	782.5	529.8	379.1	64.5
540	540	135	45	550	72	73.5	69	410	994.6	594.5	795.4	536.3	391.3	64.5
560	560	150	45	560	72	73.5	69	410	1004.9	604.6	812.2	550.6	396.9	64.5
590	580	175	45	575	72	73.5	69	410	1020.6	620.2	836.5	574.4	404.9	64.5

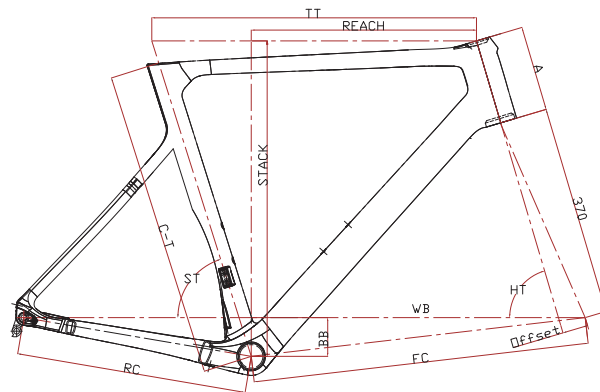
LCR015-D

Aero Race



700C Aero Race Disc Brake Road Carbon Frame Kit

- Finish: UD
- Size: 48/51/54/57cm
- Weight: 1100g/54cm
- Head tube: integrated 52mm/52mm
- Seat post: special shape (special clamp)
- Stem: 90/100/110/120mm
- Handlebar: 380/400/420/440mm
- BB shell: BB86
- Dropout: TA 12*142mm
- Fork: TA 12*100mm
- Brake: Flat mount
- Max Tire: 700C*28C



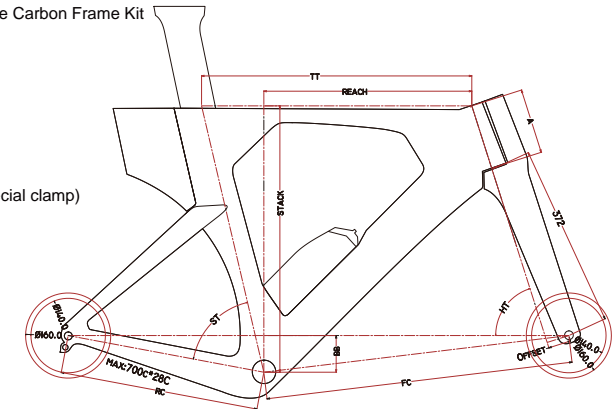
LCTT05-D

Triathlon



700C Super Aero Triathlon Disc Brake Carbon Frame Kit

- Finish: UD
- Size: 49/52/54/56/58cm
- Weight: 1800g/54cm
- Head tube: Integrated 42mm/42mm
(Headset FSA NO.8B)
- Seat post: special shape 300mm(special clamp)
- BB shell: BB386
- Brake Type: Flat mount
- Disc Rotor:140-160mm
- HB-size: 420mm
- Stem-size: 100mm
- Max Tire: 700C*28C



LCR015-D

SIZE	C-T	A	offset	TT	HT	ST	BB DROP	RC	WB	FC	BB Height	Standover Height (700*28C)	STACK	REACH	TRAIL
480	480	120	45	525	72.5	73.5	68	405	980	561.6	372	745	524	369	60.4
510	510	130	45	550	72.5	73.5	68	405	985	586.6	372	776	533	392.6	58.4
540	540	150	45	570	73.5	72.5	68	405	985.5	590.2	372	800	553.8	395.4	53.8
570	570	170	45	590	73.5	72	68	408	1002.6	604.2	372	822	571.2	404.3	53.8

LCTT05-D

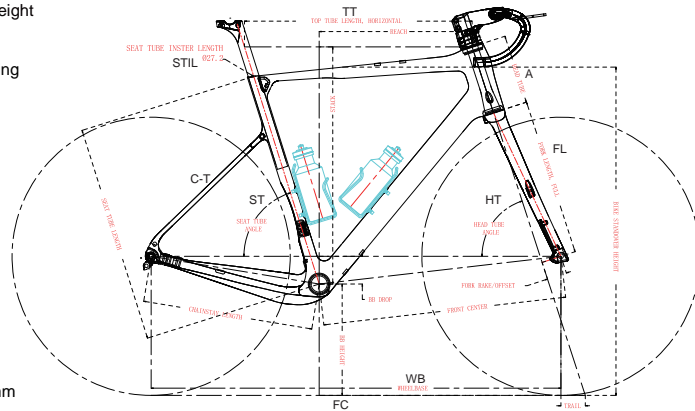
SIZE	A	Offset	TT	HT	ST	BB DROP	RC	FC	STACK	REACH	RD	FD	POST	H/T INSERT	BB INSERT
49	110	43	507	70.5°	76°	75	410	584.8	495	384	Inner	Inner	Special 74°-78°	FSA NO:88ACB	BB386
52	130.5	43	513	71°	76°	75	410	586	506	387					
54	141	43	541	72.5°	76°	75	410	602	522	411					
56	160	43	570	72.5°	76°	75	410	631	540	435					
58	174.5	43	576	72.5°	76°	75	410	639	559	437					

LCG071-D

Gravel



700C Gravel Carbon Frame Kit Light Weight
 Size: 49/52/55/58cm
 Cable Routing: Full Internal Cable Routing
 Weight: 990g/Size 52cm
 Head Tube: Straight 1 1/2" head tube
 (upper 52mm lower 52mm)
 Seat Post: 27.2x400mm
 Stem: 90/100/110/120mm
 Handlebar: 380/400/420/440mm
 Bottom Bracket: BB86
 Max Tire: 700C*53C & 650B*2.1
 Dropout: Rear TA Φ12*142mm
 Fork TA Φ12*100mm
 Disc Brake: Flat Mount 140mm or 160mm



LCG071-D

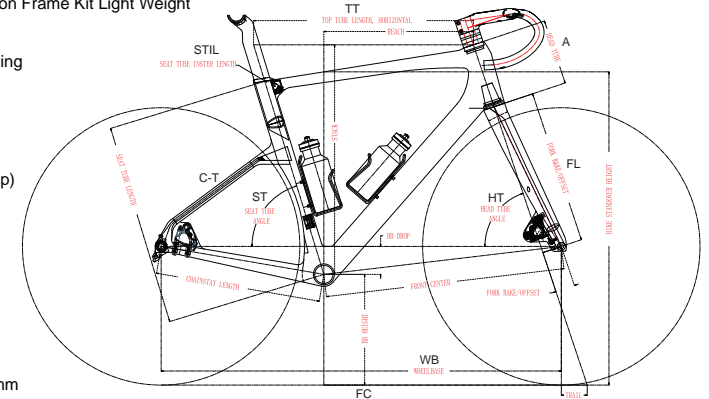
SIZE	TT	ST	HT	FC	RC	A	BB DROP	Offset	FL	BB Height	Standover Height (700*42C)	STACK	REACH	WB
490	535	73.5°	71°	693.8	430	120	70	50	397	285	776.4	542.6	374.1	1008.9
520	550	73°	71.5°	599.4	430	140	70	50	397	285	793.4	563.4	377.5	1014.5
540	575	72.5°	72°	614.5	430	175	70	50	397	285	833.4	598.6	386	1029.6
580	595	72.5°	72°	634.5	430	205	70	50	397	285	863.9	627.1	397.1	1049.8

LCG072-D

Racing Gravel & Road Plus



700C Racing Gravel & Road Plus Carbon Frame Kit Light Weight
 Size: S/M/L
 Cable Routing: Full Internal Cable Routing
 Weight: 1050g/Size M
 Head Tube: Straight 1 1/2" head tube
 (upper 52mm lower 52mm)
 Seat Post: special shape (special clamp)
 Stem: 90/100/110/120mm
 Handlebar: 380/400/420/440mm
 Bottom Bracket: T47*P1.0 (85.5mm)
 Max Tire: 700C*42C
 Dropout: Rear TA Φ12*142mm
 Fork TA Φ12*100mm
 Disc Brake: Flat Mount 140mm or 160mm



LCG072-D

SIZE	C-T	REACH	TT	STACK	WB	RC	FC	BB DROP	BB HEIGHT	ST	HT	STIL	Standover Height (700*42C)	Offset	FL	TRAIL
S	490	370	540	563	1015.5	425	607.4	72	285	73.5°	71°	144	712.4	50	397	65.2
M	520	385	565	591	1030.2	425	615.6	72	285	73°	71.5°	168	806.4	50	397	67
L	550	393	587	613	1050	425	632.5	72	286	72.5°	71.5°	197	835.6	50	397	67

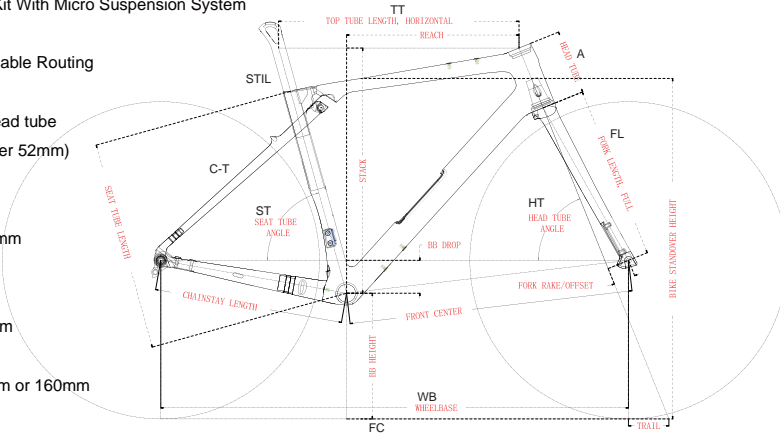
LCG073-D

Gravel



700C Gravel Carbon Frame Kit With Micro Suspension System

- Size: S/M/L
- Cable Routing: Full Internal Cable Routing
- Weight: 1400g/Size M
- Head Tube: Straight 1 1/2" head tube (upper 52mm lower 52mm)
- Seat Post: 31.6x400mm
- Stem: 90/100/110/120mm
- Handlebar: 380/400/420/440mm
- Bottom Bracket: BB86
- Max Tire: 700C*47C
- Dropout: Rear TA Φ 12*142mm
- Fork TA Φ 12*100mm
- Disc Brake: Flat Mount 140mm or 160mm
- Hanger: UDH



LCG073-D

SIZE	C-T	REACH	TT	STACK	WB	RC	FC	BB DROOP	BB HEIGHT	ST	HT	STIL	A	standover Height (700*47C)	Offset	FL	TRAIL
S	447	374.8	530	541.2	1040.5	430	621.6	75	286	74°	68°	190	127	742.8	50	396	92
M	477	393	548	558.8	1065.8	430	646.7	75	286	74.5°	68°	220	147	776	50	396	92
L	507	408.6	576	583.8	1091.5	430	672.3	75	286	74°	68°	230	173	798.6	50	396	92

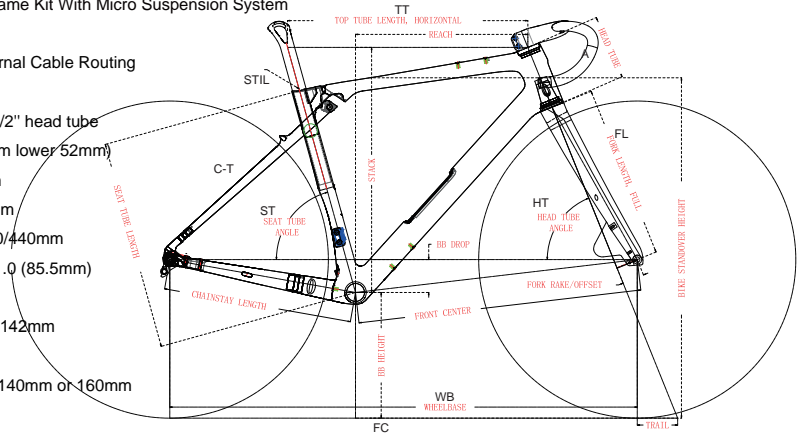
LCG087-D

Gravel



700C Gravel Carbon Frame Kit With Micro Suspension System

- Size: S/M/L
- Cable Routing: Full Internal Cable Routing
- Weight: 1400g/Size M
- Head Tube: Straight 1 1/2" head tube (upper 52mm lower 52mm)
- Seat Post: 31.6x400mm
- Stem: 90/100/110/120mm
- Handlebar: 380/400/420/440mm
- Bottom Bracket: T47*P1.0 (85.5mm)
- Max Tire: 700C*47C
- Dropout: Rear TA Φ 12*142mm
- Fork TA Φ 12*100mm
- Disc Brake: Flat Mount 140mm or 160mm
- Hanger: UDH



LCG087-D

SIZE	C-T	REACH	TT	STACK	WB	RC	FC	BB DROOP	BB HEIGHT	ST	HT	STIL	A	standover Height (700*47C)	Offset	FL	TRAIL
S	447	369	524.3	541.7	1020.3	430	601.5	75	286	74°	69.5°	120	120	742.8	50	396	87.5
M	477	385	545.7	560.6	1043.4	430	624.5	75	286	74°	69.5°	140	140	776	50	396	87.5
L	507	401	565.7	581.3	1061.9	430	642.9	75	286	73.5°	69.5°	160	160	798.6	50	396	87.5

LCE086

E-Gravel

BAFANG

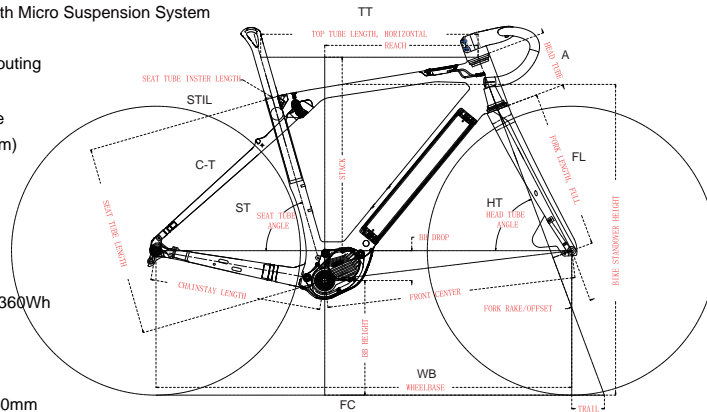
**M820 motor
BT F100.B360.C**



700C E-Gravel Carbon Frame Kit With Micro Suspension System

Size: S/M/L
Cable Routing: Full Internal Cable Routing
Weight: 1500g/Size M
Head Tube: Straight 1 1/2" head tube
(upper 52mm lower 52mm)

Seat Post: 31.6x400mm
Stem: 90/100/110/120mm
Handlebar: 380/400/420/440mm
Motor: Bafang M820, 36V/250W
Display: DP C030.CA
Battery: BT F100.B360.C-36V:10Ah;360Wh
Max Tire: 700C*47C
Dropout: Rear TA Φ 12*142mm
Fork TA Φ 12*100mm
Disc Brake: Flat Mount 140mm or 160mm
Hanger: UDH



LCE086

SIZE	STIL	REACH	TT	STACK	WB	RC	FC	BB DROP	BB HEIGHT	ST	HT	C-T	A	Standover Height (OVER/CAKE)	Offset	FL	TRAIL
S	190	369	524.3	541.7	1020.3	430	601.2	75	286	74°	69.5°	447	120	742.8	50	396	87.5
M	220	385	545.7	545.7	1043.4	430	624.5	75	286	74°	69.5°	477	140	776	50	396	87.5
L	230	401	565.7	565.7	1061.9	430	642.9	75	286	74°	70°	507	160	798.6	50	396	87.5

LCE930

BAFANG

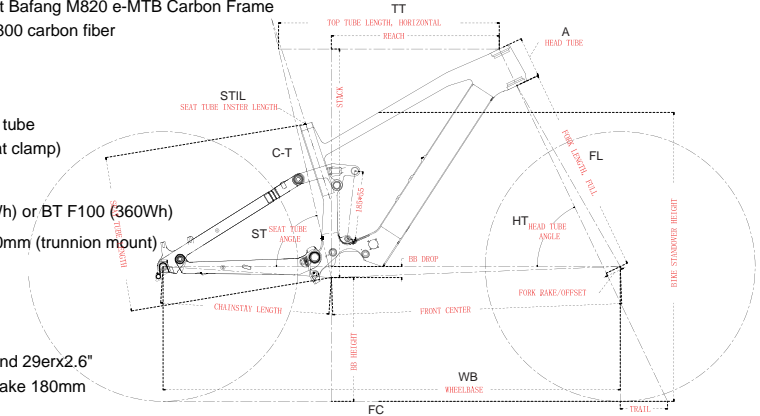
**M820 motor
BT F014 (410Wh) battery**



29er Plus/650b Plus Super Light Bafang M820 e-MTB Carbon Frame

Material: High modulus Toray T800 carbon fiber
Size: S, M, L
Weight: 2750g/Medium
Head tube: Straight 1 1/2" head tube
Seat post: 31.6mm(34.9mm seat clamp)

Motor: Bafang M820
Battery: Bafang BT F014 (410Wh) or BT F100 (360Wh)
Rear shock size: 185*55/185*50mm (trunnion mount)
Front Travel: 150-160mm
Rear Travel: 150mm
Dropout: TA 12*148mm
Max tire clearance: 650B*3.0" and 29erx2.6"
Brake Type: Post Mount Disc brake 180mm
Hanger: UDH



LCE930

SIZE	STIL	REACH	TT	STACK	WB	RC	FC	BB DROP	BB HEIGHT	ST	HT	C-T	A	Standover Height (OVER/CAKE)	Offset	FL	TRAIL
S	170	430	572	614.8	1205.5	457	756.1	30	335	77°	64.5°	390	105	782	44	563	128
M	200	455	598	619.4	1232.6	457	783.2	30	335	77°	64.5°	420	110	801	44	563	128
L	200	480	625	627.5	1261.9	457	812.5	30	335	77°	64.5°	450	120	825	44	563	128

LCE971

BAFANG

M510 / M600 / M560 motor
OEM Lithium (720Wh) battery



29er Plus/650b Plus Full Suspension Bafang M510 e-MTB Carbon Frame OEM Battery

Material: High modulus Toray T700 carbon fiber

Size: M, L

Weight: 3750g/M

Head tube: Straight 1 1/2" head tube

Seat post: 31.6mm(34.9mm seat clamp)

Motor: Bafang M510 / M600 / M560

Battery: OEM Lithium battery 720wh

Rear shock size: 210*55mm (standard mount)

Front Travel: 150-160mm

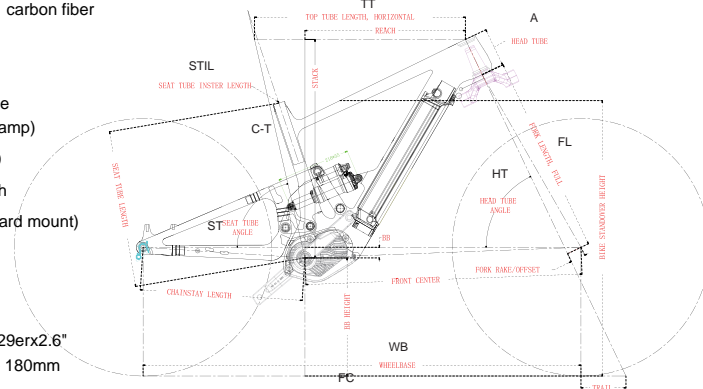
Rear Travel: 150mm

Dropout: TA 12*148mm

Max tire clearance: 650B*3.0" and 29erx2.6"

Brake Type: Post Mount Disc brake 180mm

Hanger: UDH



LCE971

SIZE	STIL	REACH	TT	STACK	WB	RC	FC	BB DROP	BB HEIGHT	ST	HT	C-T	A	Standover Height (29er*2.6")	Offset	FL	TRAIL
M	180	455	598	619.4	1241.7	460	783.2	30	335	77°	64.5°	445	110	781	44	562	128
L	200	480	625	628.4	1269.9	460	812.5	30	335	77°	64.5°	480	120	795	44	562	128

LCE39

BAFANG

M510 / M600 / M560 motor
BT F25 (820Wh) battery



29er Plus/650b Plus Full Suspension Bafang M510 e-MTB Carbon Frame

Material: High modulus Toray T700 carbon fiber

Size: M/L

Weight: 3150g/M

Head tube: Integrated 44mm/56mm

(Headset FSA NO.57)

Seat post: 31.6mm(34.9mm seat clamp)

Motor: Bafang M510 / M600 / M560

Battery: Bafang BT F25 (820Wh)

Rear shock size:190*51mm

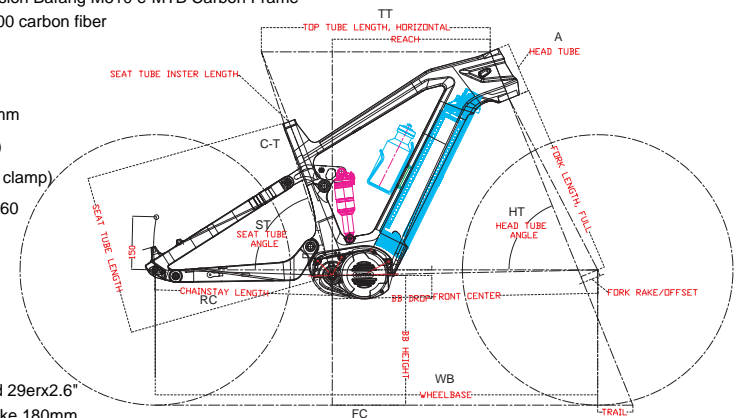
Front Travel: 150mm

Rear Travel: 150~160mm

Dropout: TA 12*148mm

Max tire clearance: 650B*3.0 and 29erx2.6"

Brake Type: Post Mount Disc brake 180mm



LCE39

SIZE	REACH	TT	STACK	WB	RC	FC	BB HEIGHT	BB DROP	ST	HT	C-T	A	Standover Height (29er*2.6")	Offset	TRAIL
M	446	646	630.9	1249.4	500	749.8	366	15.8	72.4°	68°	451	143	806.3	51	99.2
L	469	672	640.1	1275	500	776	366	15.8	72.4°	68°	482	153	818.7	51	99.2

LCE18

BAFANG

M620 motor
BT F25 (820Wh) battery

e-Fat Bike



LCE28

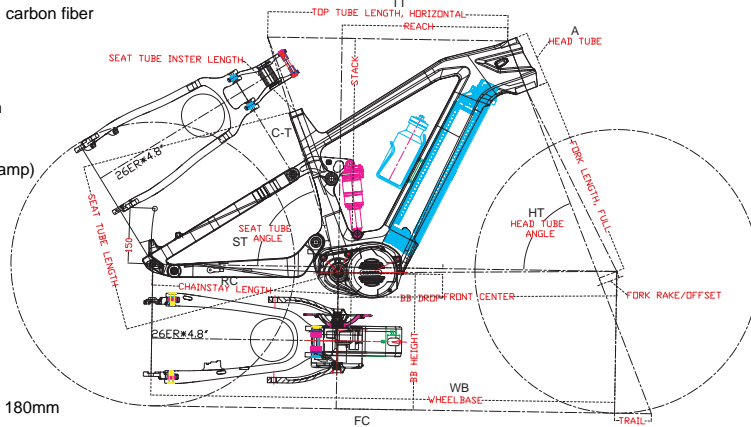
BAFANG

M620 motor
BT F25 (820Wh) battery



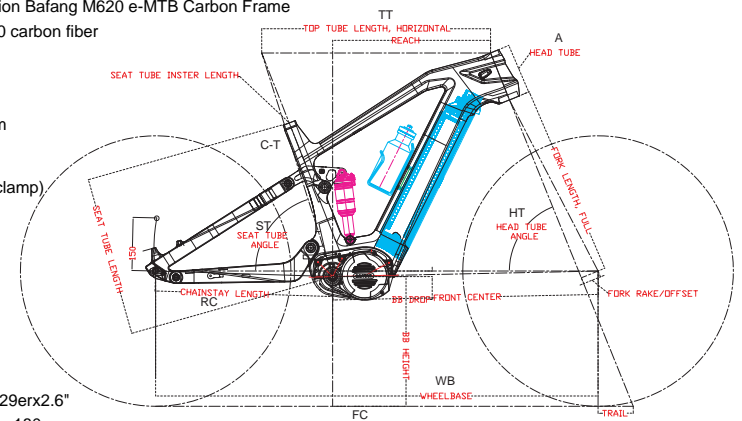
26er Full Suspension Bafang M620 e-Fat Bike Carbon Frame
Material: High modulus Toray T700 carbon fiber

Size: M/L
Weight: 3150g/M
Head tube: Integrated 44mm/56mm
(Headset FSA NO.57)
Seat post: 31.6mm(34.9mm seat clamp)
Motor: Bafang M620
Battery: Bafang BT F25 (820Wh)
Rear shock size:190*51mm
Front Travel: 150mm
Rear Travel: 150mm
Dropout: TA 12*197mm
Max tire clearance: 26x4.8"
Brake Type: Post Mount Disc brake 180mm



29er Plus/650b Plus Full Suspension Bafang M620 e-MTB Carbon Frame
Material: High modulus Toray T700 carbon fiber

Size: M/L
Weight: 4000g/M
Head tube: Integrated 44mm/56mm
(Headset FSA NO.57)
Seat post: 31.6mm(34.9mm seat clamp)
Motor: Bafang M620
Dropout: TA 12*148mm
Rear shock size: 190*51mm
Front Travel: 150-160mm
Rear Travel: 150mm
Battery: Bafang BT F25 (820Wh)
Max tire clearance: 650B*3.0 and 29er*2.6"
Brake Type: Post Mount Disc brake 180mm



LCE18

SIZE	REACH	TT	STACK	WB	RC	FC	BB DROP	ST	HT	C-T	A	Offset	TRAIL
M	446	646	630.9	1249.4	500	749.8	15.8	72.4°	68°	451	143	51	99.2
L	469	672	640.1	1275	500	776	15.8	72.4°	68°	482	153	51	99.2

LCE28

SIZE	REACH	TT	STACK	WB	RC	FC	BB DROP	ST	HT	C-T	A	BB HEIGHT	Standover Height (29er*2.6")	Offset	TRAIL
M	446	646	630.9	1249.4	500	749.8	15.8	72.4°	68°	451	143	366	806.3	51	99.2
L	469	672	640.1	1275	500	776	15.8	72.4°	68°	482	153	366	818.7	51	99.2

LCES801

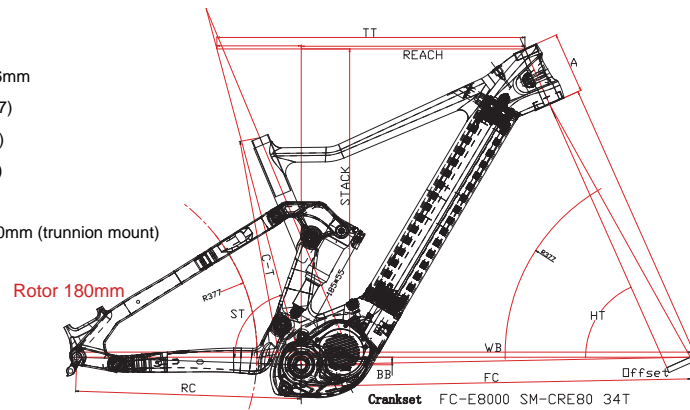
SHIMANO
E8000/EP8 motor

DARFON
E4C0L (800Wh) battery



29er/650b Plus Full Suspension Shimano EP8 e-MTB Carbon Frame Darfon Battery
Finish:UD

- Size: S/M/L
- Weight: 3450g/M
- Head tube: Integrated 44mm/56mm (Headset FSA NO.57)
- Seat post: 31.6 (34.9mm clamp)
- Battery: Darfon E4C0L (800Wh)
- Motor: Shimano EP801
- Rear shock size: 185*55/185*50mm (trunnion mount)
- Front Travel: 160mm
- Rear Travel: 160mm
- Dropout: TA 12*148mm
- Max tire clearance: 650B*3.0" 29ER*2.35"
- Hanger: UDH



LCES801

SIZE	C-T	A	offset	TT	HT	ST	BB DROP	RC	WB	FC	BB HEIGHT	Standover Height (27.5er*3.0")	STACK	REACH	H/T INSERT	Wheel	Travel
S	406	110	51	590	66	75	15	445	1097	748	365	777.8	614.4	433.2	FSA NO:57	Dropout: Ø12*148mm	F 160mm R 160mm Suspension 185*55mm
M	457	120	51	601	66	75	15	445	1215	770.7	365	806.3	625.5	442.9			
L	508	130	51	630	66	75	15	445	1235	790.4	365	818.7	632.7	462.5			

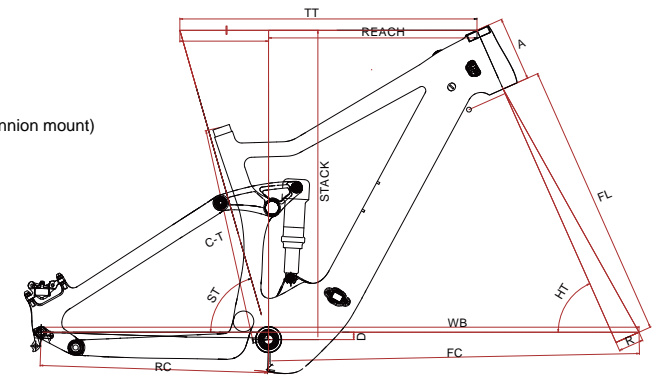
LCE879

SHIMANO
E8000/EP8 motor
E8036 (630Wh) battery



29er/650b Plus Full Suspension Shimano EP8 e-MTB Carbon Frame

- Size: S/M/L/XL
- Weight: 3700g /Size M
- Head Tube: FSA No. 57
- Seat Post: Ø31.6mm
- Rear Shock Size: 185*55/185*50mm (trunnion mount)
- Dropout: TA 148*12 mm
- Battery: Shimano E8036
- Motor: Shimano EP8
- Disc Brake: Post mount 180mm
- Tire Max: 29*2.35" or 27.5*3.0"
- Travel : Front 150mm Rear 150mm
- Max Chaining: 34T



LCE879

SIZE	C-T	TT	BB HEIGHT	ST	HT	FC	RC	A	Standover Height (27.5er*3.0")	BB DROP	Offset	FL	STACK	REACH	WB
S	400	585	365	74°	66°	732	460	120	776.5	15	51	561	616.4	408.2	1191.6
M	440	601	365	74°	66°	749.3	460	130	801.3	15	51	561	625.5	412.5	1209
L	483	620	365	74°	66°	769.4	460	140	816.7	15	51	561	634.7	437.5	1229
XL	520	640	365	74°	66°	791.8	460	150	827.5	15	51	561	643.8	455.8	1251.4

LCM914

29er XC



29er MTB Hardtail Light Weight XC Carbon Frame

Material: High modulus Toray T700 carbon fiber

Size: 15", 17", 19" (Medium, Large)

Weight: 15"=1130g / 17"= 1170g / 19"= 1200g

Head tube: Straight 1 1/2" head tube

Seat post: 27.2mm(31.8 clamp)

BB shell: BB92

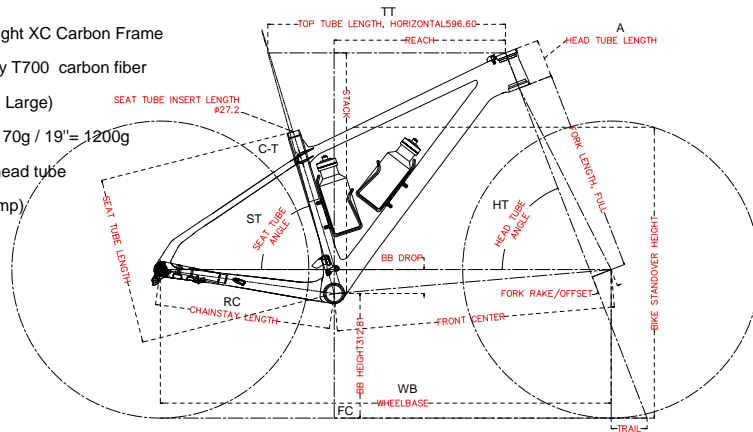
Dropout: TA 12*148mm

Tire: 29er*2.35"

Max Chainring: 36T

Chainline: 52mm

Hanger: UDH



LCM914

SIZE	REACH	TT	STACK	WB	RC	FC	BB DROP	ST	HT	C-T	A	Offset	TRAIL
S	405	570	599	1102	438	699.3	60	74.6°	69°	393	90	51	88.4
M	430	596	604	1129.2	438	695.9	60	74.6°	69°	418	95	51	88.4
L	453	622	613	1156	438	722.6	60	74.6°	69°	458	105	51	88.4

LCM909

29er XC



29er MTB Hardtail XC Carbon Frame

Finish: UD

Size: 15"/17"/19"

Weight: 1200g/17"

Head tube: integrated 42mm/52mm

(Headset FSA NO.42 ACB)

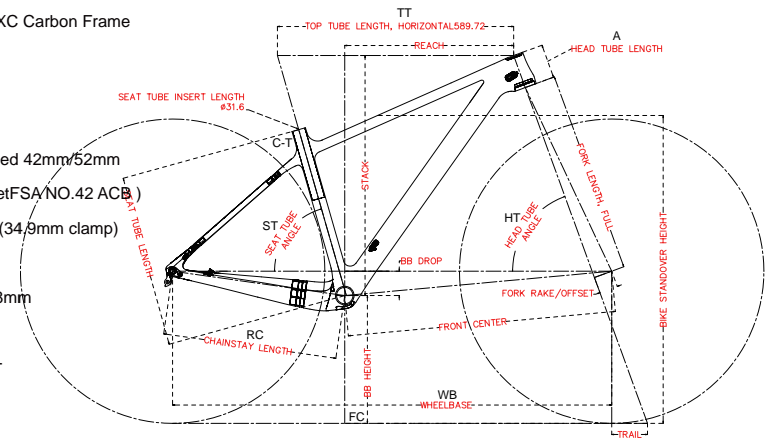
Seat post: 31.6mm(34.9mm clamp)

BB shell: BB92

Dropout: TA 12*148mm

Tire: 29er*2.35"

Max Chainring: 34T



LCM909

SIZE	C-T	A	Offset	TT	Stack	Reach	HT	ST	BB DROP	RC	WB	POST
15	380	90	46	542	591.3	376	70°	74°	61	435	1048.6	31.6
17	431	90	46	595	599.4	422	70°	74°	61	435	1099	
19	483	95	46	625	610.4	451	70°	74°	61	435	1129.5	

LCM908

29er XC



29er MTB Hardtail XC Carbon Frame

Finish: UD

Size: 15"/17"/19"/20.5"

Weight: 1150g/17"

Head tube: integrated 42mm/52mm
(Headset FSA NO.42 ACB)

Seat post: 31.6mm(34.9mm clamp)

BB shell: BB92

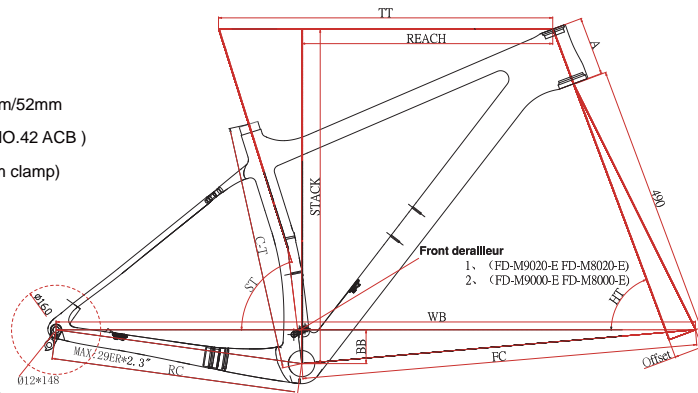
Dropout: TA 12*148mm

Tire: 29er*2.35"

Max Chainring: 34T

routing(For RB/FD/RD)

F.D: 1.(M9020-E M8020-E)
2.(M9000-E M8000-E)



LCM908

SIZE	C-T	A	Offset	TT	Stack	Reach	HT	ST	BB DROP	RC	WB	POST
15	390	105	51	580	600.4	430.7	69.5°	72.5°	60	445	1127.7	31.6
17	440	105	51	600	600.4	450.7	69.5°	72.5°	60	445	1147.7	
19	480	115	51	620	609.8	467.7	69.5°	72.5°	60	445	1168.2	
20.5	530	125	51	640	619.1	484.8	69.5°	72.5°	60	445	1188.8	

DH209

27.5er Downhill



27.5er Downhill Full Suspension Carbon Frame

Finish: UD

Size: 17.5"/19"

Weight: 4250g/17.5"

Head tube: Integrated 1 1/2 head tube

Seat post: 30.9mm

Max Compatible Chainring: 34T

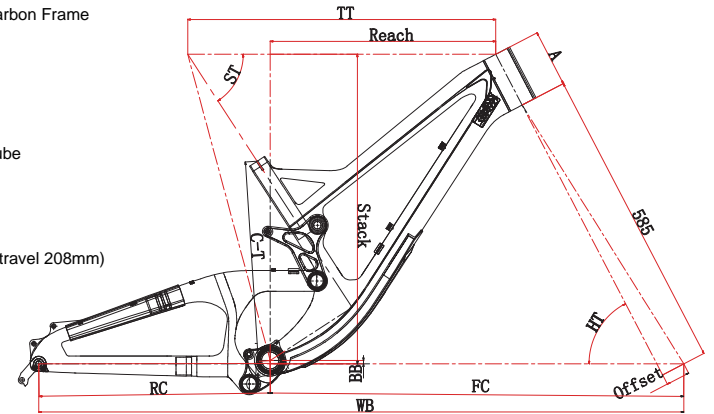
Rear shock size: 240*76mm (Rear travel 208mm)

Rear Travel: 208mm

Dropout: TA12*150mm

Bottom Bracket: BSA 83mm

Tire: 650B*2.5"



DH209

SIZE	C-T	A	offset	TT	HT	ST	BB DROP	RC	WB	FC	STACK	REACH
M	384	105	46	566.5	63	57	6.4	450	1213	763	587.6	408.7
L	384	105	46	592	62	57	6.4	450	1240	795	595.3	433.5

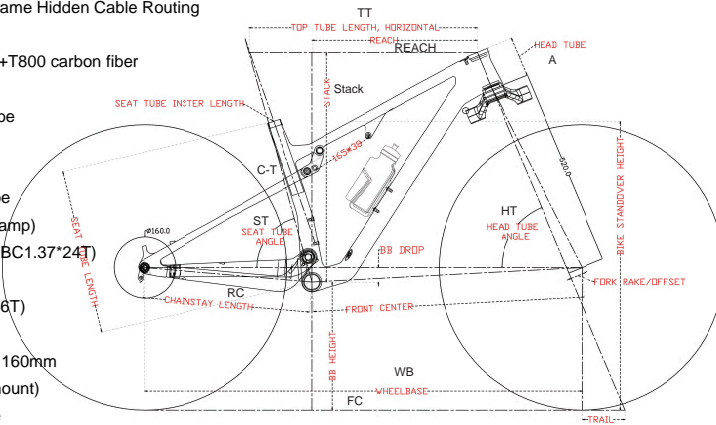
LCFS918

29er XC



29er XC Full Suspension Carbon Frame Hidden Cable Routing

- Size: S/M/L
- Material: High modulus Toray T700 +T800 carbon fiber
- Weight: 2050g/M
- Head Tube: Straight 1 1/2" head tube
- Front Travel: 100-120mm
- Rear Travel: 110mm
- Head Tube: Straight 1 1/2" head tube
- Seatpost Diameter: 31.6mm(34.9 clamp)
- Bottom Bracket: Threaded BSA 73 (BC1.37*24T)
- Max Tire Clearance: 29er*2.35"
- Max Chaining: 36T (30T/32T/34T/36T)
- Chainline: 52mm
- Brake Type: Post Mount Disc brake 160mm
- Rear Shock: 165*40mm (trunnion mount)
- Dropout: 12*148mm Boost thru axle
- Hanger: UDH



LCFS918													
SIZE	REACH	TT	STACK	WB	RC	FC	BB DROP	ST	HT	C-T	A	Offset	TRAIL
S	410	570	597	1131	438	722.7	38	74.75°	67.5°	382	95	51	113.7
M	435	598.8	597	1160	438	723	38	74.75°	67.5°	432	105	51	113.7
L	460	625.2	606	1188.9	438	751.5	38	74.75°	67.5°	470	115	51	113.7

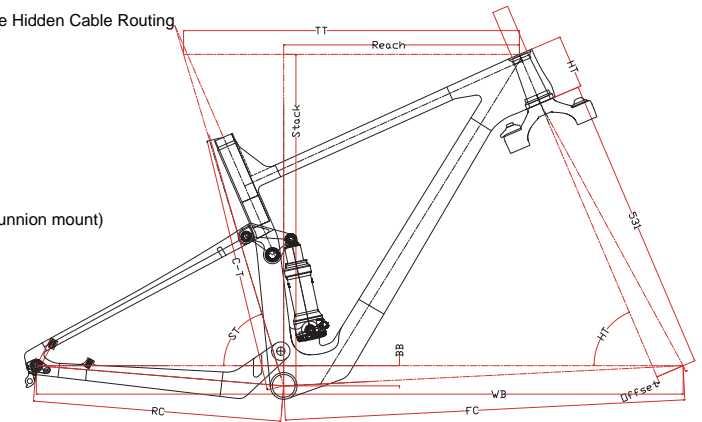
LCFS919

29er XC



29er XC Full Suspension Carbon Frame Hidden Cable Routing

- Finish:UD
- Size: S/M/L
- Weight: 1960g/M
- Head tube: Straight 1 1/2" head tube
- Seat post: 31.6 (34.9mm clamp)
- BB shell: BB92
- Rear shock size: 165*45/165*40mm (trunnion mount)
- Front Travel: 100-120mm
- Rear Travel: 100-120mm
- Dropout: TA12*148mm
- Disc rotor size: 160mm
- Tire: 29er*2.35"&650B*2.8"
- Max Chaining: 34T
- Hanger: UDH



LCFS919													
SIZE	C-T	A	offset	TT	HT	ST	BB DROP	RC	WB	FC	STACK	REACH	
S	410	95	51	570	67°	73°	36	443	1126	685	592	391	
M	457	95	51	600	67°	73°	36	443	1155.5	714.6	592.3	421.2	
L	500	110	51	630	67°	73°	36	443	1186	745	601.4	448	

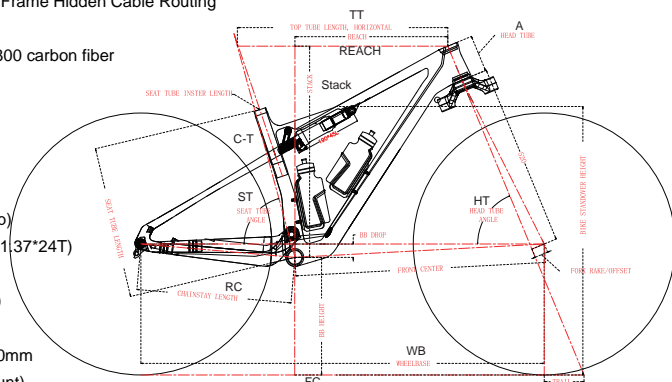
LCFS980

29er Light XC



29er Light XC Full Suspension Carbon Frame Hidden Cable Routing

- Size: S/M/L
- Material: High modulus Toray T700 +T800 carbon fiber
- Weight: 2050g/M
- Head Tube: Straight 1 1/2" head tube
- Front Travel: 100-120mm
- Rear Travel: 90mm
- Head Tube: Straight 1 1/2" head tube
- Seatpost Diameter: 31.6mm(34.9 clamp)
- Bottom Bracket: Threaded BSA 73 (BC1.37*24T)
- Max Tire Clearance: 29er*2.35"
- Max Chaining: 36T (30T/32T/34T/36T)
- Chainline: 52mm
- Brake Type: Post Mount Disc brake 160mm
- Rear Shock: 190*45mm (standard mount)
- Dropout: 12*148mm Boost thru axle
- Hanger: UDH



LCFS980

SIZE	C-T	REACH	TT	STACK	WB	RC	FC	BB DROP	BB HEIGHT	ST	HT	STIL	A	standover Height (29" x 3.0")	Offset	FL	TRAIL
S	390	410	570	587	1131	440	722.7	38	334.5	74.75	67.5°	190	95	744.5	51	520	113.7
M	432	435	598	597	1160	440	723	38	334.5	74.75	67.5°	200	105	744.5	51	520	113.7
L	470	460	625	606	1188.9	440	751.5	38	334.5	74.75	67.5°	220	115	744.5	51	520	113.7

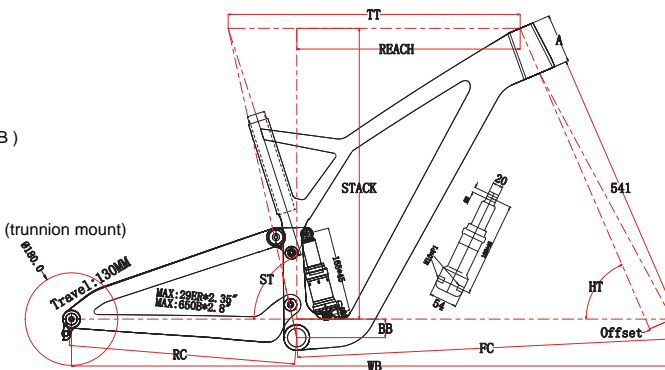
LCFS958

29er Trail



29er Trail Full Suspension Carbon Frame

- Finish:UD
- Size: M/L/XL
- Weight: 2400g/17.5"
- Head tube: Integrated 42mm/52mm (Headset FSA NO.42ACB)
- Seat post: 31.6 (37mm clamp)
- BB shell: BSA-73
- Rear shock size: 165*45/165*40mm (trunnion mount)
- Front Travel: 130mm
- Rear Travel: 130mm
- Dropout: TA 12*148mm
- Disc rotor size: 180mm
- Tire: 29er*2.35" & 650B*2.8"
- ISCG-05 chain guide mount



LCFS958

SIZE	C-T	A	offset	TT	HT	ST	BB DROP	RC	WB	FC	RD	RB	POST	STACK	REACH
M	440	95	51	590	67	76	36	444.5	1178	736	Inner	Inside	31.6	566	440
L	480	110	51	623	67	76	36	444.5	1214	772				579	470
XL	520	125	51	658	67	76	36	444.5	1250	807				593	500

LCFS947

Enduro



29er Enduro Full Suspension Carbon Frame

Size Available: M/L/XL

Cable Routing: Internal Cable Routing

Grade Available: 2750g/L

Head Tube: (Integrated 44mm/56mm) FSA No.57ACB

Seat Post: Φ 31.6mm

Bottom Bracket: BSA-73mm (BC1.37*24T)

(Compatible with ISCG-05 chain guide)

Tire Max: 29er *2.6" & 650B*3.0"

Dropout: TA 12*148mm

185*55/185*50mm (trunnion mount)

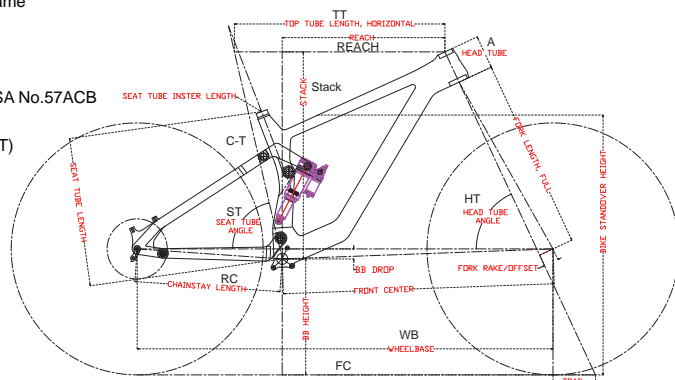
Front Travel: 160-170mm

Rear Travel: 160mm

Disc Brake: Post Mount 180mm

Max Chaining: 32T

Hanger: UDH



LCFS947

SIZE	C-T	A	offset	TT	HT	ST	BB DROP	RC	WB	FC	BB HEIGHT	Standover Height (29er*2.6)	Fork Length	STACK	REACH
M	410	95	44	600	65°	77°	30	435	1213.4	780	347	761.6	571	615	458
L	445	100	44	630	65°	77°	30	435	1244.3	810.9	347	777.6	571	620	487
XL	485	110	44	650	65°	77°	30	435	1266.8	833.3	347	795.3	571	629	505

LCFS948

Enduro



29er Enduro Full Suspension Carbon Frame

Size Available: M/L

Cable Routing: Internal Cable Routing

Grade Available: 2750g/L

Head Tube: (Integrated 44mm/56mm) FSA No.57ACB

Seat Post: Φ 31.6mm

Bottom Bracket: BSA-73mm (BC1.37*24T)

Tire Max: 29er *2.6" & 650B*3.0"

Dropout: TA 12*148mm

Shock size: 210*55mm (standard mount)

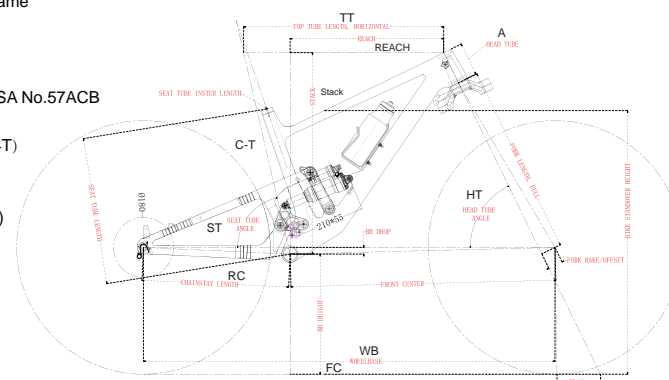
Front Travel: 170-180mm

Rear Travel: 170mm

Disc Brake: Post Mount 180mm

Max Chaining: 36T

Hanger: UDH



LCFS948

SIZE	C-T	REACH	TT	STACK	WB	RC	FC	BB DROP	BB HEIGHT	ST	HT	STIL	A	Standover Height (29er*2.6)	Offset	FL	TRAIL
M	440	460	599.4	603.8	1233.2	440	793.9	20	350	77°	64°	180	100	774.6	44	570	130
L	480	495	636	639	1270.9	440	812.4	20	350	77°	64°	200	115	791.6	44	570	130

HBR05



Carbon Road Aero Handlebar

Material: full carbon
 Size: 38/40/42/44cm
 Reach: 85mm
 Drop: 130mm
 Clamp Diameter: 31.8mm
 Weight: 268±10g

HBR12



Carbon Road Aero Handlebar

Material: full carbon
 Size: 38/40/42/44cm (Center to Center)
 Reach: 64mm
 Drop: 126mm
 Clamp Diameter: 31.8mm
 Weight: 260±10g (40cm)

HBR11



Carbon Road Integrated Bar/Stem

Size: 38/40/42/44cm (Center to Center)
 Stem: 90/100/110/120 mm
 Reach: 82mm
 Drop: 125mm
 Steerer tube Diameter: 28.6mm
 Weight: 380g±10g (420x100)

HBR13



Super Light Carbon Road Integrated Bar/Stem

Size: 38/40/42cm (Center to Center)
 Stem: 90/100/110/120 mm
 Reach: 77mm
 Drop: 127mm
 Steerer tube Diameter: 28.6mm
 Weight: 315±10g (420x100)

HBR08



Carbon Gravel Integrated Bar/Stem

Size: 38/40/42/44cm (Center to Center)
 Stem: 90/100/110/120 mm
 Reach: 82mm
 Drop: 125mm
 Steerer tube Diameter: 28.6mm
 Weight: 430±10g (420x100)

AM12



Carbon MTB Bar/Stem Combo For AM

Rise: 0mm
 Max Length: 810mm
 Stem: 40/50/60mm
 Up sweep: 5 degree
 Back sweep: 7 degree
 Stem angle: -5 degree
 Weight: 320±10g (810*50mm)

XC11

Carbon MTB Bar/Stem Combo For XC

Rise: 0mm
 Max Length: 740mm
 Stem: 80/90/100/110mm
 Up sweep: 5 degree
 Back sweep: 7 degree
 Offset: 7.1mm
 Stem angle: -17 degree
 Weight: 280±10g (740x90mm)



XC14

Carbon MTB Bar/Stem Combo For XC

Rise: 0mm
 Max Length: 760mm
 Stem: 70/80/90/100/110mm
 Up sweep: 5 degree
 Back sweep: 8 degree
 Offset: 7.1mm
 Stem angle: -17 degree
 Weight: 294±10g (760x90mm)



XC01

Carbon MTB Flat Bar For XC

Material: full carbon
 Barbore OD: 31.8mm
 Max Length: 750mm
 Upsweep: N/A
 Backsweep: 9°
 Rise: N/A
 Weight: 190±10g



XC02

Carbon MTB Rise Bar For XC

Material: full carbon
 Barbore OD: 31.8mm
 Max Length: 820mm
 Upsweep: 4°
 Backsweep: 6°
 Rise: 15mm
 Weight: 200±10g



XC03

Carbon MTB Rise Bar For XC

Material: full carbon
 Barbore OD: 31.8mm
 Max Length: 800mm
 Upsweep: 5°
 Backsweep: 9°
 Rise: 20mm
 Weight: 220±10g



DH06

Carbon MTB Rise Bar For DH

Material: full carbon
 Barbore OD: 35mm
 Max Length: 830mm
 Upsweep: 5°
 Backsweep: 9°
 Rise: 30mm
 Weight: 260±5g



AM04

Carbon MTB Rise Bar For AM

Material: full carbon
 Barbore OD: 35mm
 Max Length: 800mm
 Upsweep: 5°
 Backsweep: 9°
 Rise: 20mm
 Weight: 230±10g



AM05

Carbon MTB Rise Bar For AM

Material: full carbon
 Barbore OD: 35mm
 Max Length: 800mm
 Upsweep: 5°
 Backsweep: 9°
 Rise: 25mm
 Weight: 230±5g



BC205

Carbon Bottle Cage

Material: full carbon fiber
 Finish: UD/3K, matt/gloss
 Weight: 21±2g



ST08

Carbon Bicycle Stem

Material: full carbon
 Stack height: 40mm
 Length: 80/90/100/110mm
 Weight: 120g
 Steer ID: 28.6mm
 Handlebar ID: 31.8mm
 Angle: ±6°



SP01-27.2 / 31.6

Carbon Seat Post

Material: full carbon
 Barbore OD: 27.2 / 31.6mm
 Length: 400mm
 Offset: 0
 Weight: 195±5g



SP02-27.2 / 31.6

Carbon Seat Post

Material: full carbon
 Barbore OD: 27.2 / 31.6mm
 Length: 400mm
 Offset: 25
 Weight: 190±5g



SP03-27.2 / 31.6

Carbon Seat Post

Material: full carbon
 Barbore OD: 27.2 / 31.6mm
 Length: 381mm / 400mm
 Offset: 15mm / 0mm
 Weight: 191±5g / 215±5g

